

Whatman UniPrep Syringeless Filters

Product Information sheet

Introduction

About

UniPrep™ syringeless filters are preassembled filtration devices for removing particulates from samples. They replace syringe-coupled filtration devices and collection with a single, disposable unit.

Important

Read these instructions carefully before using the products.

Intended use

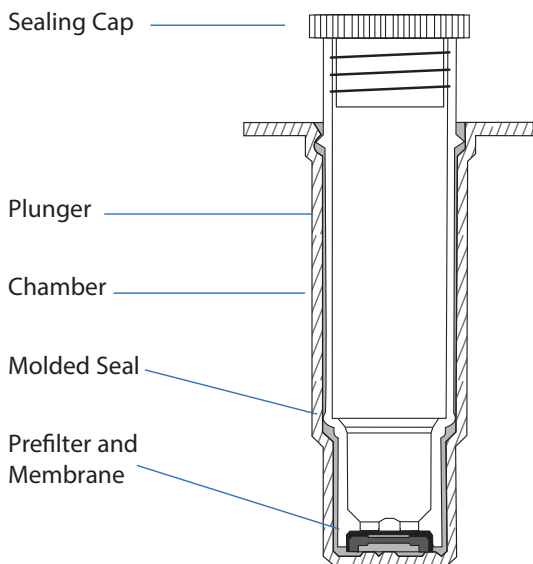
The products are intended for research use only, and shall not be used in any clinical or *in vitro* procedures for diagnostic purposes.

Safety

For use and handling of the products in a safe way, refer to the Safety Data Sheets.

Description

Each UniPrep consists of two parts: a chamber and a plunger. The design incorporates a prefilter and a membrane into the tip of the plunger. By pressing the plunger through liquid placed into the chamber, positive pressure forces the filtrate up into the reservoir of the plunger.



Step	Action
1	Select the UniPrep Syringeless Filter that is compatible with your sample (See Chemical Compatibility Guide, on page 2). If your solvent is not listed, please contact our technical services staff. Add sample to be filtered into the chamber. Be careful not to exceed the fill line. Each UniPrep has a capacity up to 5 mL.
2	Insert a plunger into each UniPrep chamber until the tip contacts the liquid. Slowly push the plunger into the test tube until it stops at the bottom and locks at top.
3	Remove the cap from the UniPrep. Empty in either of two ways <ul style="list-style-type: none"> • Decant into a sample or autosampler vial. • Draw the filtered sample into a syringe for manual injection into your instrument.

Membrane Guide

Type	Applications
Glass Microfiber (GMF)	Layered glass microfiber filter has low non-specific binding for use with samples containing aqueous or organic solvents with a pH of 3–10.
Nylon (NYL)	Naturally hydrophilic membrane for filtration of samples containing aqueous or organic solvents with a pH of 3–10.
Polytetrafluoroethylene (PTFE)	Chemically inert PTFE membrane for filtration of samples containing >50% organic solvent.
Polyvinylidene Fluoride (PVDF)	Low protein binding membrane for filtration of aqueous and/or organic solvents solutions.

Chemical Compatibility Guide

Solvent	GMF	NYL	PTFE	PVDF
Acetic Acid 5% ¹	R	R	R	R
Acetic Acid, Glacial	R	LR	R	R
Acetone	R	R	R	NR
Acetonitrile	R	R	R	R
Ammonia, 6N	LR	R	R	LR
Amyl Acetate	R	R	R	LR
Amyl Alcohol	R	R	R	R
Benzene ²	R	LR	R	R
Benzyl Alcohol ²	R	LR	R	R
Boric Acid	R	LR	R	R
Butyl Alcohol	R	R	R	R
Butyl Chloride ²	R	NR	R	R
Carbon Tetrachloride ²	R	LR	R	R
Chloroform ²	R	NR	R	R
Cyclohexanone	R	NR	R	R
Chlorobenzene	R	²	R	R
Citric Acid	R	R	R	R
Cresol	R	NR	R	NR
Cyclohexane	R	R	R	R
Diethyl Acetamide	R	R	R	NR
Dimethyl Formamide	R	R	R	NR
Dioxane	R	R	R	LR
DMSO	R	R	R	LR
Ethanol	R	R	R	R
Ethers	R	R	R	LR
Ethyl Acetate	R	R	R	LR
Ethylene Glycol	R	R	R	R
Formaldehyde	R	R	R	R
Freon TF	R	R	R	R
Formic Acid	R	NR	R	R
Hydrochloric Acid (Conc)	R	NR	R	R
Hydrofluoric Acid	NR	NR	R	R
Hexane	R	R	R	R
Isobutyl Alcohol	R	R	R	R
Isopropyl Acetate	R	R	R	R
Methanol	R	R	R	R
Methyl Ethyl Ketone	R	R	R	LR
Methylene Chloride ²	R	NR	R	R
Nitric Acid (Conc)	R	NR	R	NR
Nitric Acid, 6N	R	NR	R	LR
Nitrobenzene ²	R	LR	R	R

Solvent	GMF	NYL	PTFE	PVDF
Pentane	R	R	R	R
Perchloro Ethylene	R	R	R	R
Pyridine	R	LR	R	R
Phenol (0.5%)	R	R	R	R
Sodium Hydroxide, 6N	NR	LR	R	NR
Sulfuric Acid (Conc)	R	NR	R	NR
Tetrahydrofuran	R	R	R	R
Toluene ²	R	LR	R	R
Trichloroethane ²	R	LR	R	R
Trichloroethylene ²	R	NR	R	R
Water	R	R	R	R
Xylene ²	R	LR	R	R

¹ Insufficient Data

² Short term resistance of housing

Table abbreviations

R = Resistant; LR = Limited Resistance; NR = Non Resistant.

Ordering Information

Nylon Filtration Media

UniPrep Syringeless Filter, nylon, 0.2 µm, 50/pk UN113ENYL

UniPrep Syringeless Filter, nylon, 0.45 µm, 50/pk UN113UNYL

PVDF Filtration Media

UniPrep Syringeless Filter, PVDF, 0.2 µm, 50/pk UN113EAQU

UniPrep Syringeless Filter, PVDF, 0.45 µm, 50/pk UN113UAQU

UniPrep Syringeless Filter, PVDF, 0.45 µm, 1000/pk UN513UAQU

PTFE Filtration Media

UniPrep Syringeless Filter, PTFE, 0.2 µm, 50/pk UN113EORG

UniPrep Syringeless Filter, PTFE, 0.45 µm, 50/pk UN113UORG

UniPrep Syringeless Filter, PTFE, 0.45 µm, 1000/pk UN513UORG

GMF Filtration Media

UniPrep Syringeless Filter, GMF, 0.45 µm, 50/pk UN113UGMF

cytiva.com

Cytiva and the Drop logo are trademarks of Global Life Sciences IP Holdco LLC or an affiliate.

UniPrep, and Whatman™ are trademarks of Global Life Sciences Solutions USA LLC or an affiliate doing business as Cytiva.

All other third-party trademarks are the property of their respective owners.

© 2020-2021 Cytiva

All goods and services are sold subject to the terms and conditions of sale of the supplying company operating within the Cytiva business. A copy of those terms and conditions is available on request. Contact your local Cytiva representative for the most current information.

For local office contact information, visit cytiva.com/contact

29286694 AB V:4 01/2021

