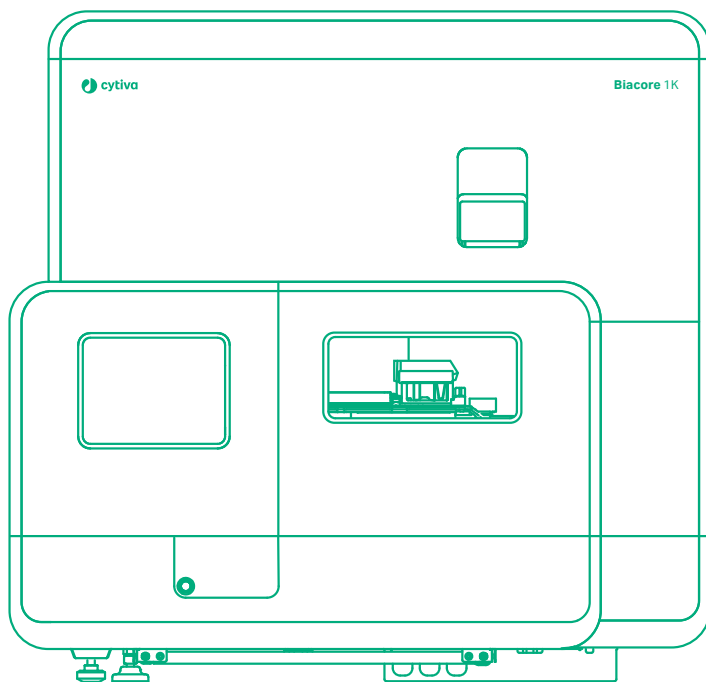


# Biacore™ 1 series

## Unpacking Instructions



Page intentionally left blank

# Table of Contents

<b>1</b>	<b>Read this before unpacking the Biacore instrument .....</b>	<b>4</b>
<b>2</b>	<b>When you receive the delivery .....</b>	<b>5</b>
<b>3</b>	<b>About these instructions .....</b>	<b>6</b>
<b>4</b>	<b>Unpacking instructions .....</b>	<b>7</b>
<b>5</b>	<b>Mounting the rotation guide on a bench .....</b>	<b>16</b>
<b>6</b>	<b>Lifting the instrument onto the bench or trolley .....</b>	<b>18</b>

# 1 Read this before unpacking the Biacore instrument



These instructions contains information that is important for safety during the unpacking of the Biacore™ instrument. Read the whole document carefully before starting to unpack the product.



## 2 When you receive the delivery

- If there is any visible damage on the delivery box, make a record on the document enclosed. Inform your Cytiva representative of such damage.
- Move the delivery box to a protected location indoors.



### **WARNING**

**Heavy object.** Use suitable lifting equipment to move the instrument. Lifting equipment must not press on the instrument covers. Moving the instrument manually requires a minimum of four properly trained persons. All lifting and moving must be performed in accordance with local regulations.

## 3 About these instructions

These instructions describe how to unpack the Biacore 1K, Biacore 1K+, and Biacore 1S+ instruments, and lift them onto the bench. It also describes how to mount the rotation guide. If preferred, the instrument can be placed on a customer-supplied trolley.

For instructions on how to install the instrument, see *Biacore 1 series Operating Instructions, 29706295*.

# 4 Unpacking instructions

## Placement of the instrument

To perform service, the back and right-hand side of the instrument must be accessible. Therefore, there are three options for placing Biacore 1 series:

Parameter	Trolley (preferred placement)	Bench (larger)	Bench (smaller)
Min. width (cm)	106	127	127
Depth (cm)	Min. 60	Min. 80	60-79
Load capacity (kg)	130	130	130
Use of rotation guide	N/A	Recommended	Mandatory
Extra space needed	Space for computer and screen, suggested on the left-hand side.	Space for computer and screen, suggested on the left-hand side.	Space for computer and screen, suggested on the left-hand side.



### WARNING

**Heavy object.** The trolley or bench on which the product is installed must have a load capacity of at least 130 kg.

## Unpacking the Biacore instrument



### WARNING

**Heavy object.** Use suitable lifting equipment to move the instrument. Lifting equipment must not press on the instrument covers. Moving the instrument manually requires a minimum of four properly trained persons. All lifting and moving must be performed in accordance with local regulations.

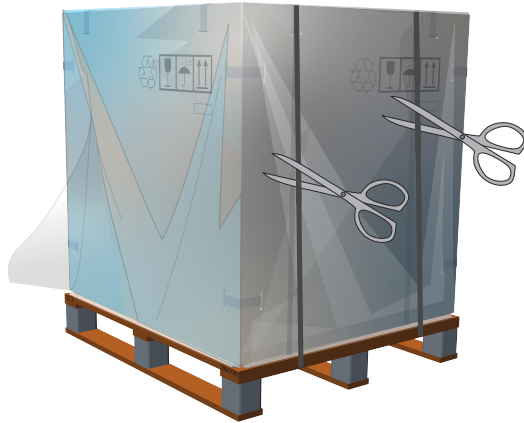
**Note:** *All packaging material must be disposed of in accordance with local regulations.*

Follow the steps below to unpack the product.

**Step      Action**

---

- 1      Cut the straps around the crate with a knife or a pair of scissors, then remove the straps.



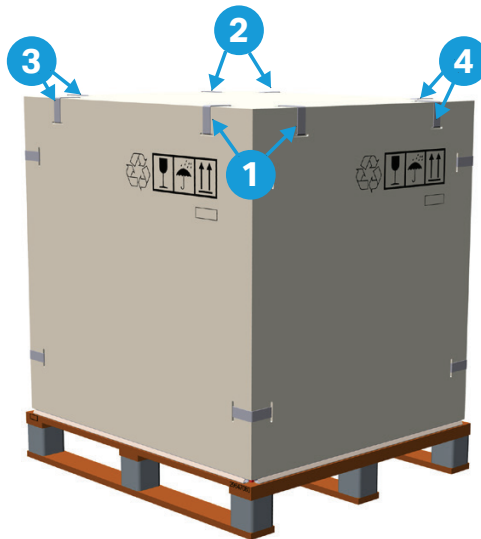
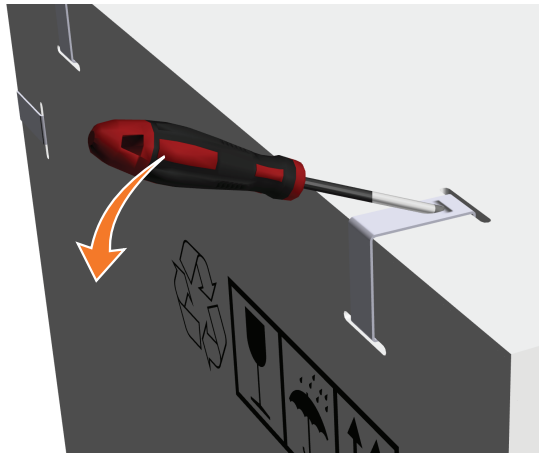
- 2      Remove the plastic sheet.



**Step      Action**

---

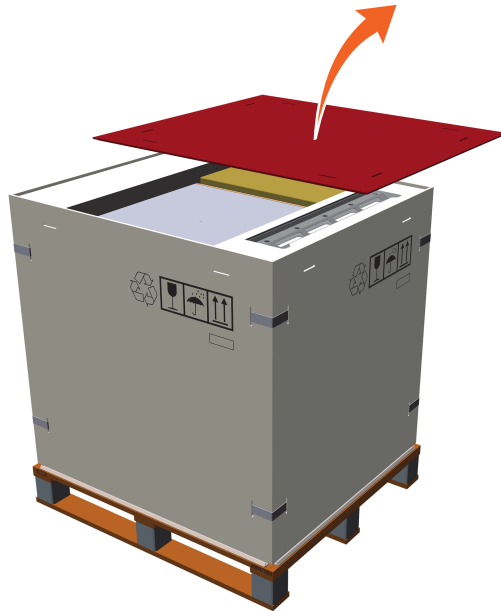
- 3      Insert a flat-headed screwdriver into the slot of the fastening tab, and lever to remove the tab. After removing the first tab, remove the tab diagonal to the first. Then proceed to remove the remaining tabs.



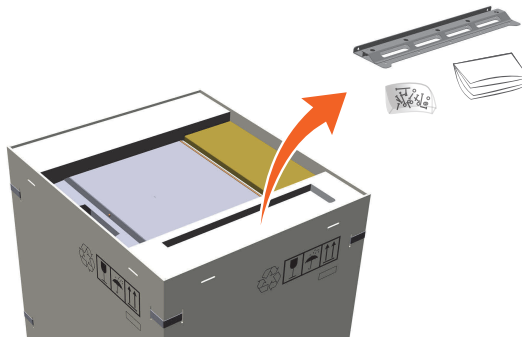
**Step      Action**

---

- 4            Remove the lid of the crate.



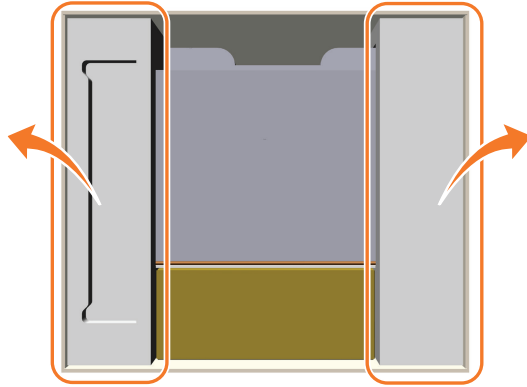
- 5            Remove the rotation guide, the bag with screws, and the Instrument installation pattern, and put them in a safe place.



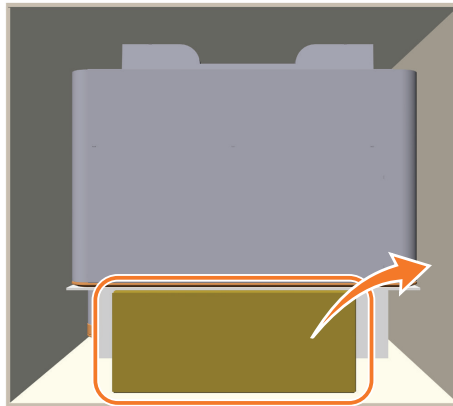
**Step    Action**

---

- 6        Remove the two pieces of protective foam.



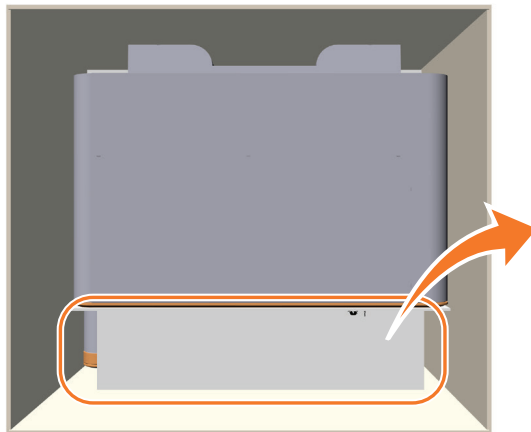
- 7        Carefully, remove the cardboard box containing the accessories.



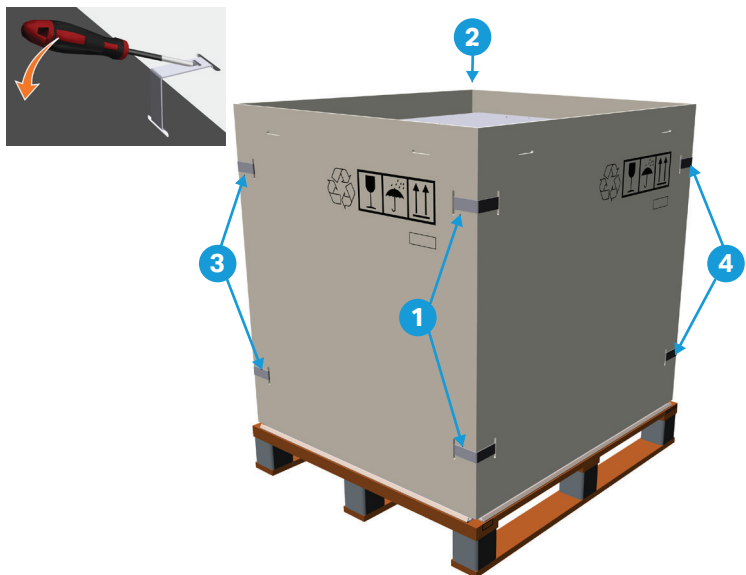
**Step**    **Action**

---

- 8            Remove the protective foam sheet at the front of the instrument.



- 9            Use a flat screwdriver to lever up the fastening tabs on the sides. Start in one corner, then continue to the diagonal corner, then the remaining two corners.

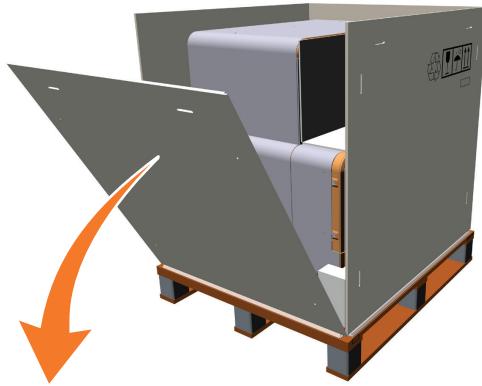




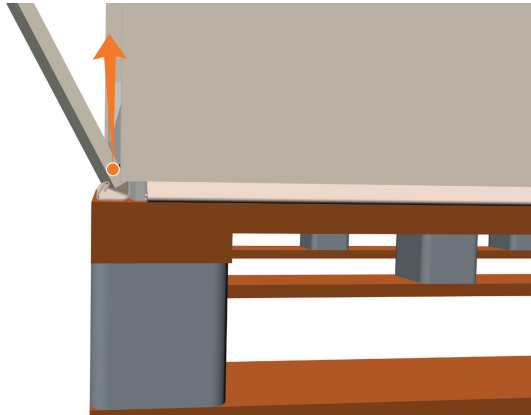
**Step      Action**

---

- 10      Lower the top of one of the crate sides to the floor.



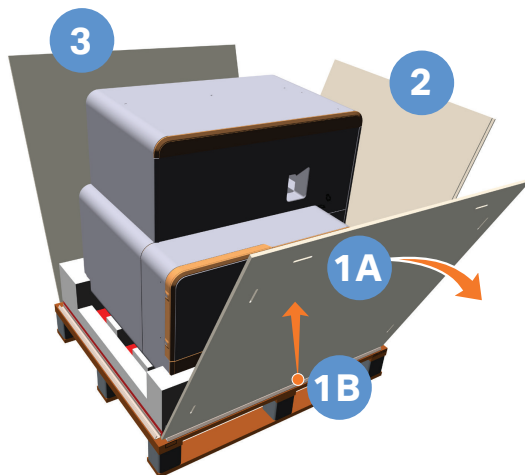
- 11      Lift the bottom of the crate side straight up, thus unhooking the bottom from the pallet.



**Step**    **Action**

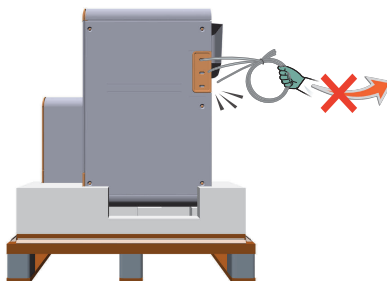
---

12        Repeat *step 10* and *step 11* for the remaining sides.



**NOTICE**

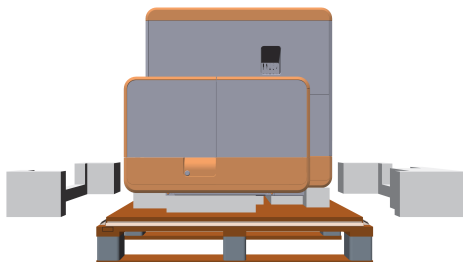
There are tubes extruding from the right-side of the instrument. Make sure they do not get caught on anything.



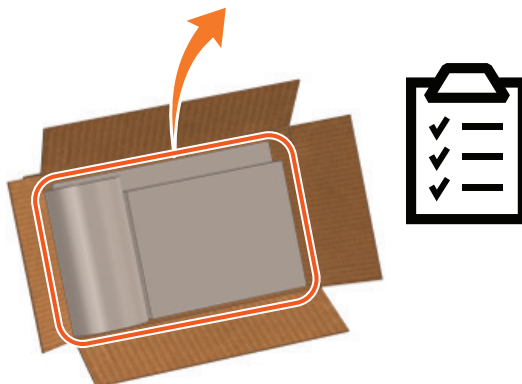
**Step      Action**

---

- 13      Remove the protective foam around the instrument.



- 14      Unpack the accessory box and check that all the contents have been delivered according to the packaging list in the accessory box.



---

If the instrument is to be placed on a bench with a rotation guide, continue with *Chapter 5 Mounting the rotation guide on a bench, on page 16.*

If the instrument is to be placed on a trolley or a bench (bench depth min 80 cm), continue with *Chapter 6 Lifting the instrument onto the bench or trolley, on page 18.*

# 5 Mounting the rotation guide on a bench

If placing the instrument on a bench with depth 60-79 cm, a rotation guide must be used. If the bench is deeper, a rotation guide is optional.

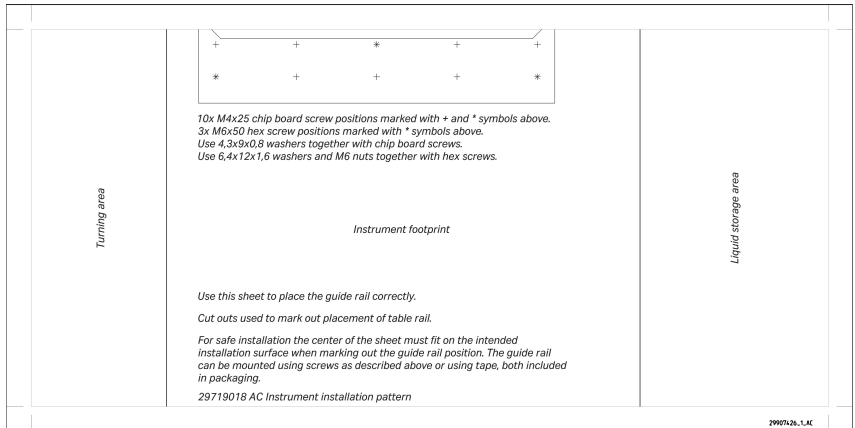
The rotation guide must be mounted before the instrument can be placed on the bench. The bench must be at least 127x60 cm to fit the instrument with space to turn, as well as fitting liquids next to the instrument.



### WARNING

**Heavy object.** The trolley or bench on which the product is installed must have a load capacity of at least 130 kg.

An instrument installation pattern (29719018) is included in the delivery. Make sure the whole template fits on the bench where the instrument will be placed.



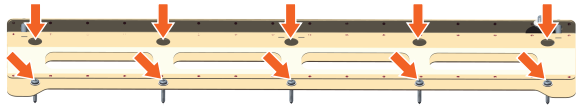
Step	Action
1	Place the instrument installation pattern on the bench.
2	Mark with a pen where the rotation guide will be placed. Use the cut outs in the pattern as guidance.
3	Remove the instrument installation pattern.
4	Tape or screw the rotation guide onto the bench according to the marks made in step 2. Depending on the type of bench used, the rotation guide can be mounted using either of the following supplied material:

**Step      Action**

---

- 10 chip board screws (M4x25) used with washers (4.3x9x0.8) (marked with + and \* in the instrument installation pattern)

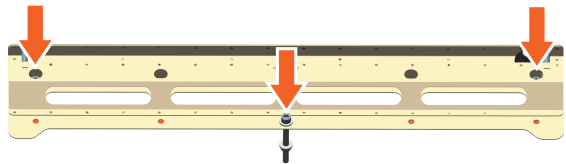
10x



or

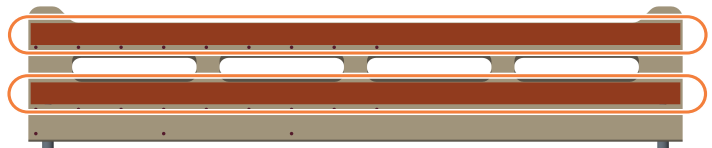
- 3 hex screws (M6x50) used with 3 lock nuts (M6) and 6 washers (6.4x12x1.6) (marked with \* in the instrument installation pattern)

3x    6x



or

- Double-sided tape. A 3 m tape roll is included. Mount it as shown in the image below. If this option is used, make sure to clean the bench and the rotation guide thoroughly with 70% isopropyl alcohol before attaching the tape.



## 6 Lifting the instrument onto the bench or trolley



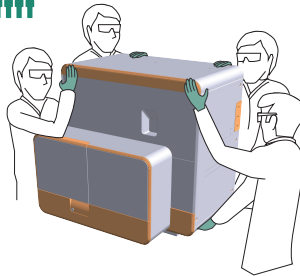
### WARNING

**Heavy object.** The trolley or bench on which the product is installed must have a load capacity of at least 130 kg.



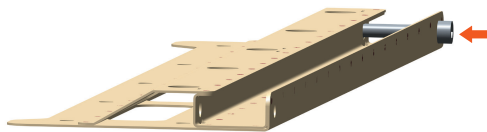
### WARNING

**Heavy object.** Use suitable lifting equipment to move the instrument. Lifting equipment must not press on the instrument covers. Moving the instrument manually requires a minimum of four properly trained persons. All lifting and moving must be performed in accordance with local regulations.



Step	Action
------	--------

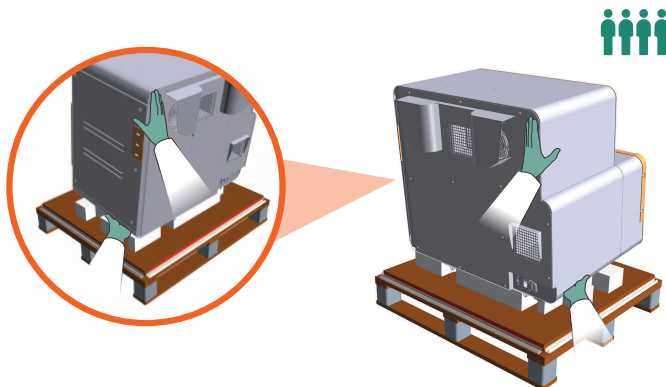
- |   |   |
|---|---|
| 1 | If the instrument is placed on a bench with a rotation guide, decide which side you will use to push the instrument into the rotation guide. Attach the bolt on the opposite side of the rotation guide to prevent the instrument from being pushed in too far. |
|---|---|



- |   |  |
|---|--|
| 2 | Position the hands correctly for lifting the instrument: |
|---|--|

Step	Action
------	--------

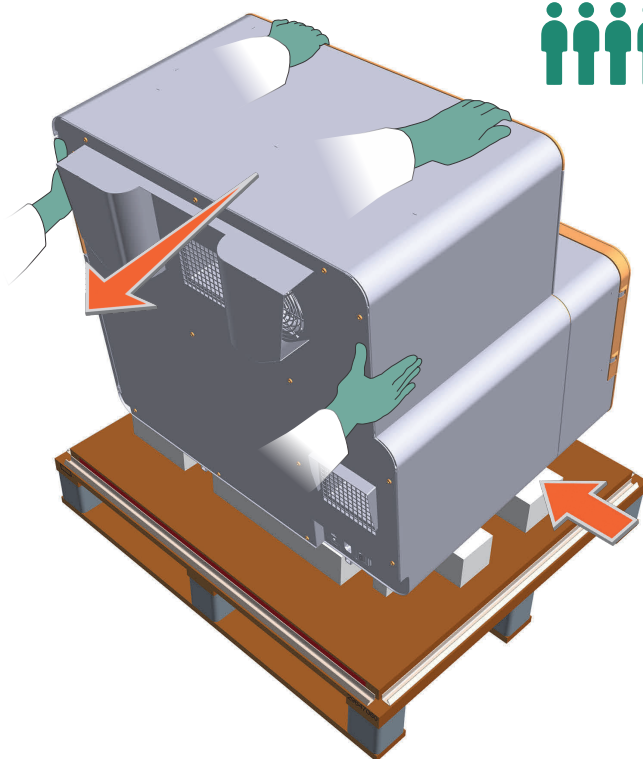
- a. The two people at the back of the instrument place their hands as shown in the following images. Use the hand under the instrument for lifting, and the other hand as support.



**Step      Action**

---

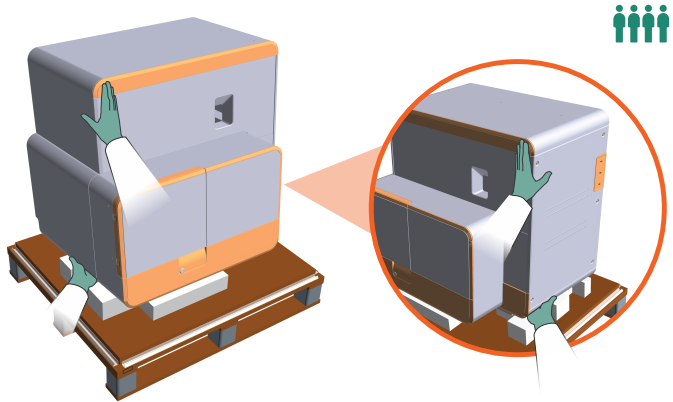
- b.** The two people at the back of the instrument tilt it slightly backwards.





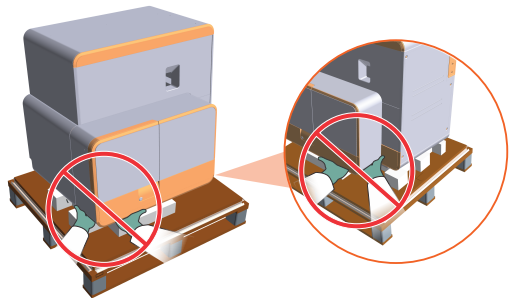
**Step**    **Action**

- c. The two people at the front place their hands at the correct lifting points according to the following images.



**NOTICE**

Do not lift with both hands under the front hood, or it can break. Make sure to have one hand under the base of the instrument!

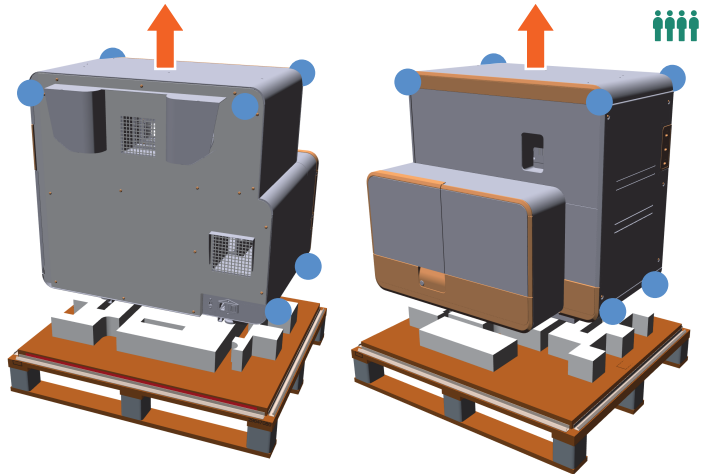


- d. The two people at the back lower the instrument from the tilted position.

**Step**    **Action**

---

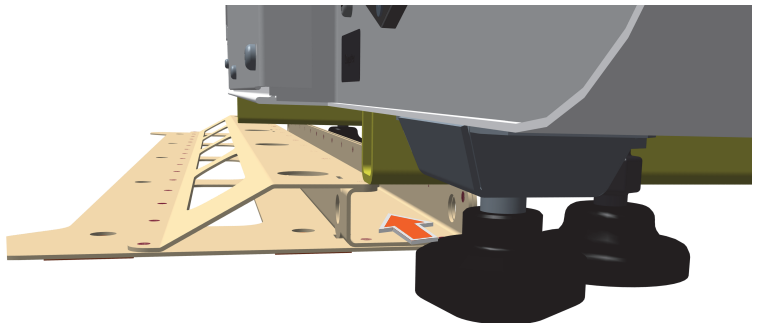
- 3        Lift the instrument over the foam attached to the plywood board on the pallet, and place the instrument on the bench.



**Note:**

*Sudden shifts in the center of gravity can be avoided when the two people in the back hold the back cover flanges.*

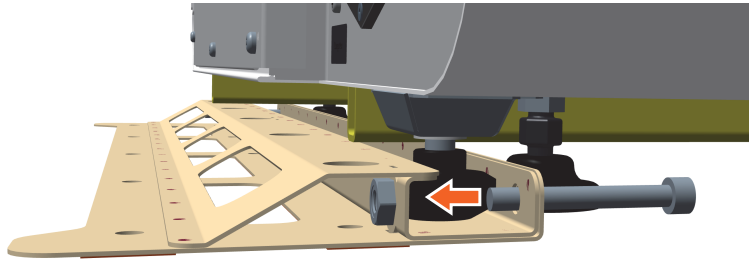
- 4        If a rotation guide is used, make sure to place the instrument with the pivot anchor passing in the rotation guide.



**Step      Action**

---

- 5            If a rotation guide is used, attach the second bolt in the rotation guide.



---

For information about how to install the Biacore instrument, see *Biacore 1 series Operating Instructions, 29706295*.

**Give feedback on this document**

Visit [cytiva.com/techdocfeedback](https://cytiva.com/techdocfeedback) or scan the QR code.



## [cytiva.com/biacore](https://cytiva.com/biacore)

Cytiva and the Drop logo are trademarks of Life Sciences IP Holdings Corp. or an affiliate doing business as Cytiva.

Biacore is a trademark of Global Life Sciences Solutions USA LLC or an affiliate doing business as Cytiva.

All other third-party trademarks are the property of their respective owners.

© 2022 Cytiva

For local office contact information, visit [cytiva.com/contact](https://cytiva.com/contact)

29706345 AC V:7 12/2022